
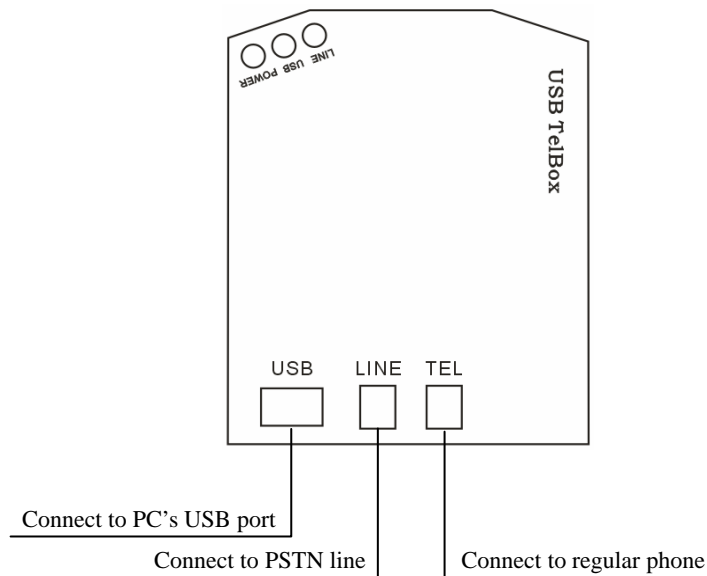


Use of USB Adaptor with X-Lite/EyeBeam

1. Install and run X-Lite/EyeBeam


- ▣ Make sure to exit any software applications that use sound, such as CD and media players.
- ▣ Run the X-Lite/X-PRO install program. (X-Lite is available for free downloaded from <http://xten.com/lite.php>)
- ▣ Follow the instructions at each step, progressing through the InstallShield Wizard until the installation is complete.
- ▣ Double click the icon  on the desktop to start the software.

2. Connect USB Adaptor to PC



- ▣ Connect USB Adaptor to PC, POWER indicator will be on.
- ▣ Plug PSTN line in "LINE" port.
- ▣ Connect Phone to "TEL" port.

3. Install and run X-TenMate

- ▣ Insert the installation CD into CD-ROM or download the software.
- ▣ Run the X-TenMate install program.
- ▣ Double click the icon  on the desktop to start the software.

4. Make a call

Enter phone number and then press “#” to call out.

5. Answer a call

The phone will ring for all incoming calls, pick up handset or press handfree key to answer the call.